

Modular Cooking Range Line 700XP Freestanding Gas Boiling Pan 60lt direct heat (60HZ)

ITEM # _____

MODEL # _____

NAME # _____

SIS # _____

AIA # _____



371276 (E7BSGHDN4x) 60-lt direct gas Boiling Pan

Short Form Specification

Item No. _____

To be installed on height adjustable feet in stainless steel. Suitable for natural gas or LPG. Robust burners in stainless steel with flame failure device and protected pilot light. Thermostatic temperature control for power regulation allowing precise temperature cooking. Exterior panels in stainless steel with Scotch Brite finish. One piece pressed work top in 1.5 mm thick stainless steel. Right-angled side edges to allow flush-fitting junction between units.

Main Features

- Lid and cooking vessel in stainless steel. Sides of vessel with satin finishing for easy cleaning.

Optional Accessories

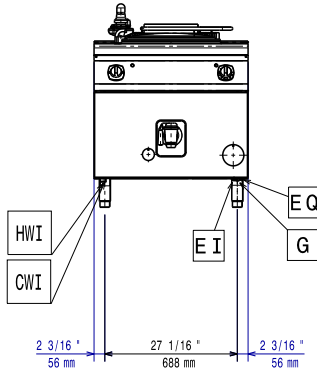
- Junction sealing kit PNC 206086
- Draught diverter, 150 mm diameter PNC 206132
- Matching ring for flue condenser, 150 mm diameter PNC 206133
- Kit 4 wheels - 2 swivelling with brake - it is mandatory to install Base support and wheels PNC 206135
- Flanged feet kit PNC 206136
- Frontal kicking strip for concrete installation, 400mm PNC 206147
- Frontal kicking strip for concrete installation, 800mm PNC 206148
- Frontal kicking strip for concrete installation, 1000mm PNC 206150
- Frontal kicking strip for concrete installation, 1200mm PNC 206151
- Frontal kicking strip for concrete installation, 1600mm PNC 206152
- Frontal kicking strip, 800mm (not for refr-freezer base) PNC 206176
- Frontal kicking strip, 1000mm (not for refr-freezer base) PNC 206177
- Frontal kicking strip, 1200mm (not for refr-freezer base) PNC 206178
- Frontal kicking strip, 1600mm (not for refr-freezer base) PNC 206179
- Kit 4 feet for concrete installation (not for 900 line free standing grill) PNC 206210
- Flue condenser for 1 module, 150 mm diameter PNC 206246
- Pair of side kicking strips PNC 206249
- Pair of side kicking strips for concrete installation PNC 206265
- Chimney upstand, 800mm PNC 206304
- Right and left side handrails PNC 206307
- Back handrail 800 mm PNC 206308
- Base support for feet or wheels - 400mm (700/900) PNC 206366
- Base support for feet or wheels - 800mm (700/900) PNC 206367
- Base support for feet or wheels - 1200mm (700/900) PNC 206368
- Base support for feet or wheels - 1600mm (700/900) PNC 206369
- Base support for feet or wheels - 2000mm (700/900) PNC 206370
- Rear paneling - 800mm (700/900) PNC 206374
- Rear paneling - 1000mm (700/900) PNC 206375
- Rear paneling - 1200mm (700/900) PNC 206376

APPROVAL: _____

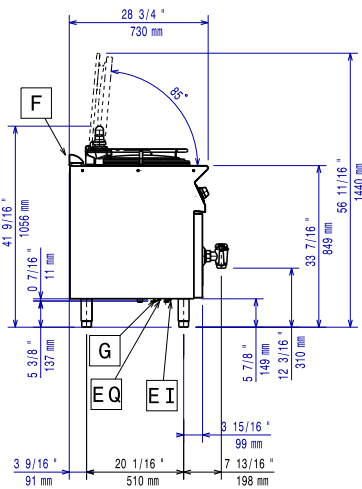


- Chimney grid net, 200mm (700XP/900) PNC 206399
- 2 side covering panels for free standing appliances PNC 216000
- Frontal handrail, 800mm PNC 216047
- Frontal handrail, 1200mm PNC 216049
- Large handrail - portioning shelf, 800mm PNC 216186
- 1-section noodle basket for 60lt boiling pans PNC 921626
- Trolley with lifting & removable tank PNC 922403
- Measuring rod for 60 l Boiling Pan PNC 927000
- Pressure regulator for gas units PNC 927225

Front

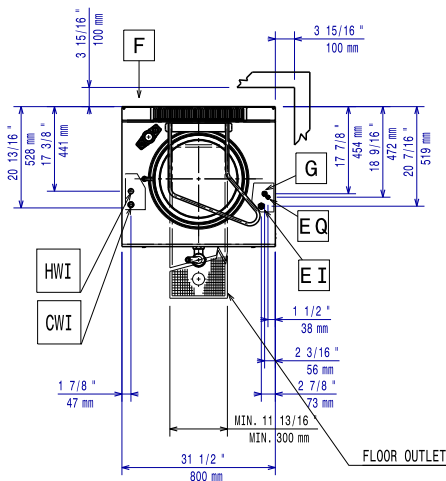


Side



- CWI = Cold Water inlet I (cleaning) HWI = Hot water inlet
 D = Drain
 EI = Electrical inlet (power)
 G = Gas connection

Top



Electric

Supply voltage:

371276 (E7BSGHDN4x) 230 V/1N ph/60 Hz

Total Watts:

0.1 kW

Gas

Gas Power: 14 kW

Standard gas delivery: Natural Gas G20 (20mbar)

Gas Type Option: LPG

Gas Inlet: 1/2"

Water:

Water drain outlet size: 1 1/2"

Key Information:

Pan useful capacity: 60 lt

Vessel (round) diameter: 420 mm

Net weight: 95 kg

Shipping weight: 110 kg

Shipping height: 1140 mm

Shipping width: 900 mm

Shipping depth: 820 mm

Shipping volume: 0.84 m³

No clearance needed on rear sides of unit if wall is of non combustible type. If wall is combustible, minimum 50 mm wall clearance should be maintained.

Certification group: N7PG